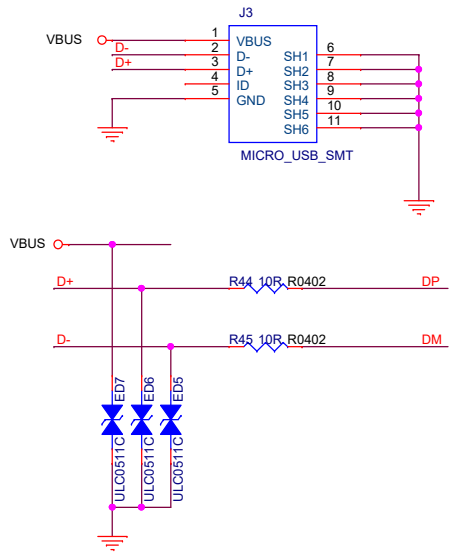
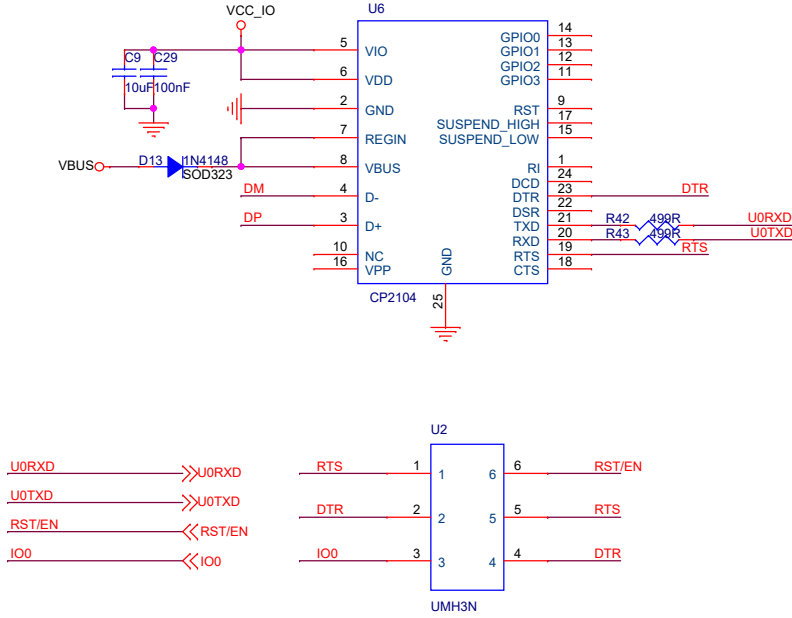


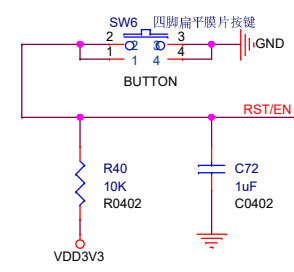
### USB



### UART

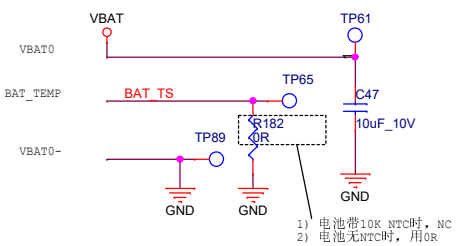
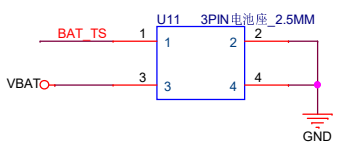
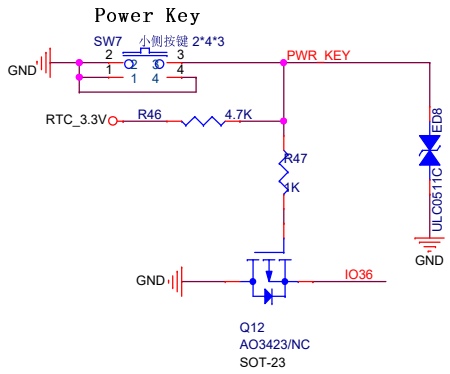
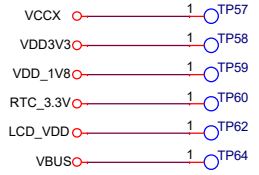
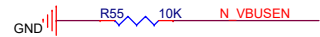
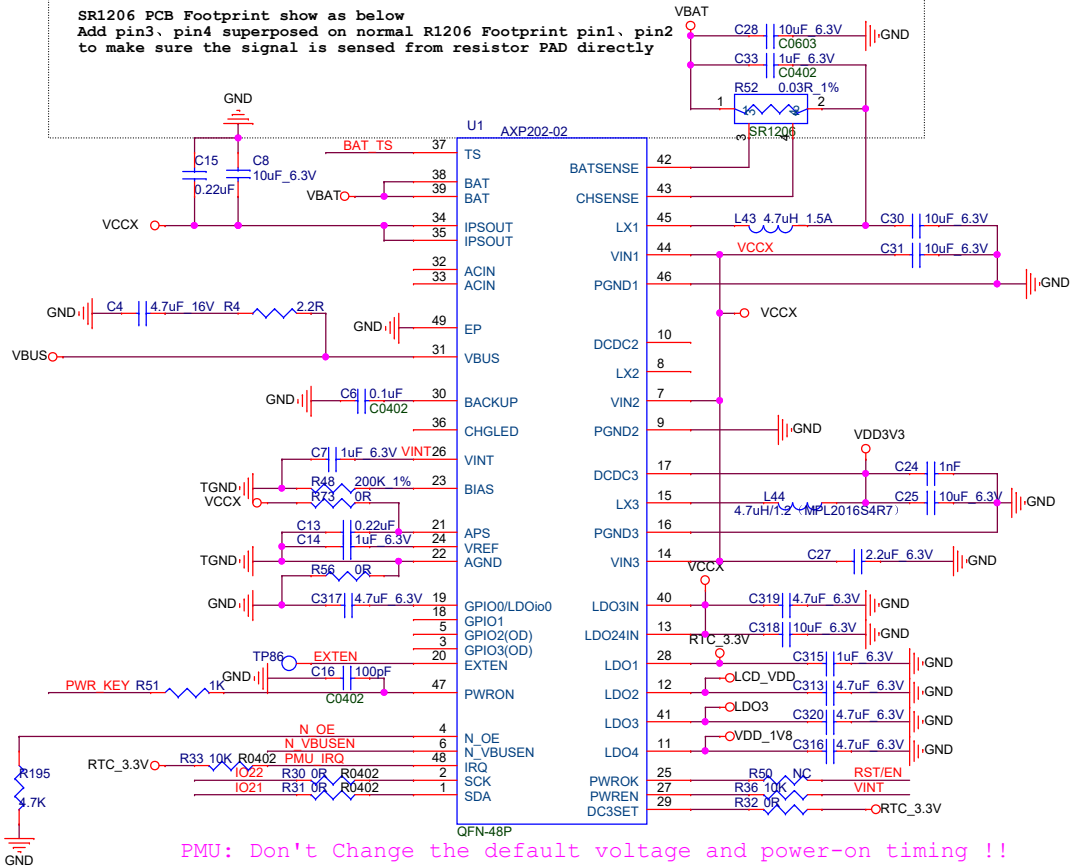


### RST



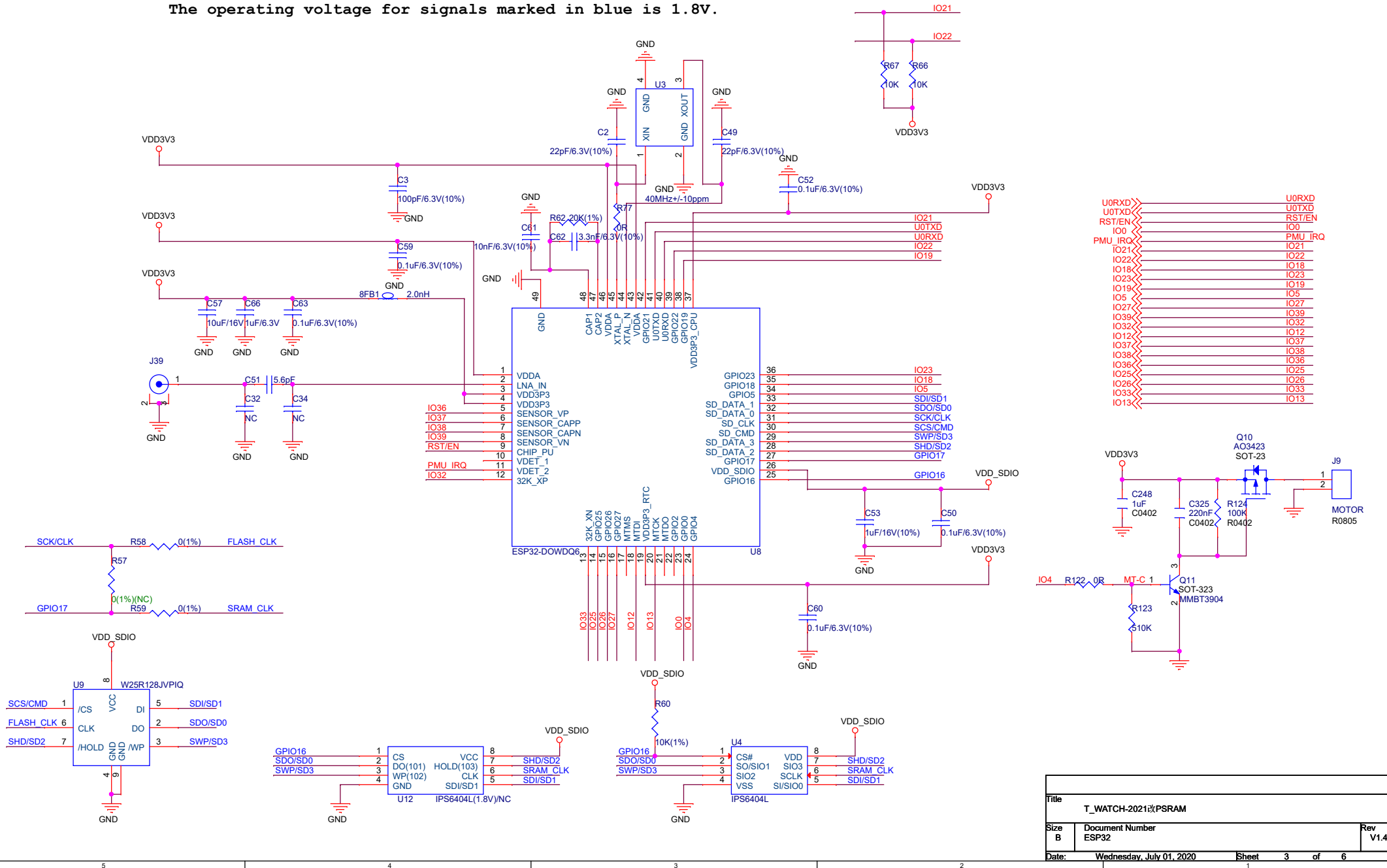
Title		
T_WATCH-2021改PSRAM		
Size	Document Number	Rev
B	1.UART	V1.4
Date:	Wednesday, July 01, 2020	Sheet 1 of 6

SR1206 PCB Footprint show as below  
 Add pin3、pin4 superposed on normal R1206 Footprint pin1、pin2  
 to make sure the signal is sensed from resistor PAD directly

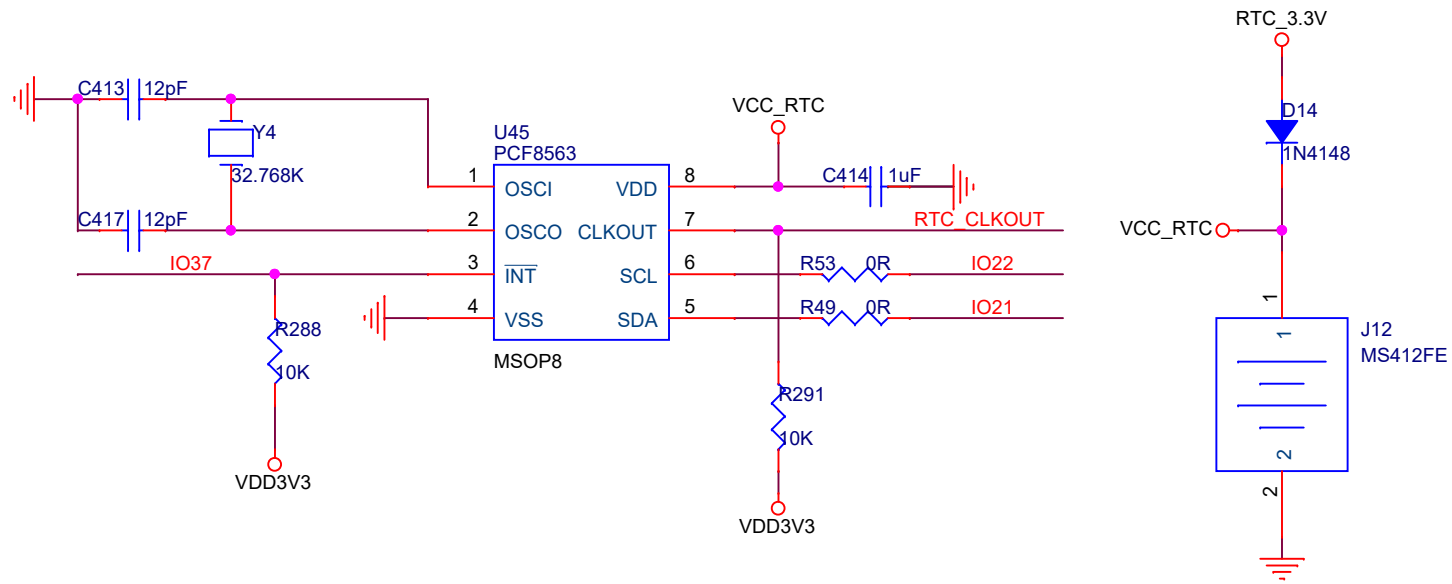


Title		
T_WATCH-2021改PSRAM		
Size	Document Number	Rev
B	AXP202	V1.4
Date:	Wednesday, July 01, 2020	Sheet 2 of 6

ESP32 Module:with 1.8V Flash & SRAM  
 The operating voltage for signals marked in blue is 1.8V.

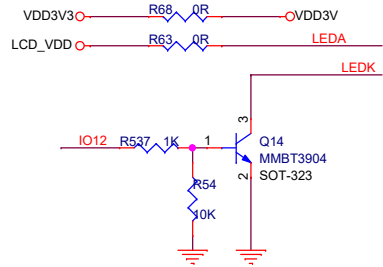


Title		
T_WATCH-2021改PSRAM		
Size	Document Number	Rev
B	ESP32	V1.4
Date:	Wednesday, July 01, 2020	Sheet 3 of 6

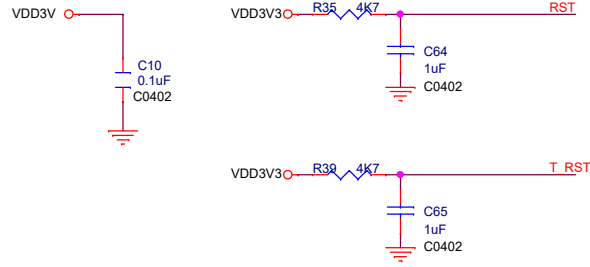


Title		
T_WATCH-2021改PSRAM		
Size	Document Number	Rev
A	RTC	V1.4
Date:	Wednesday, July 01, 2020	Sheet 4 of 6

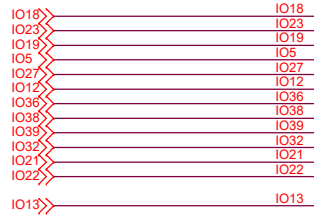
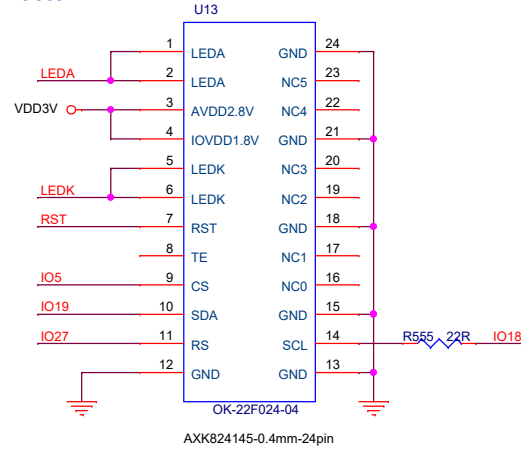
**LCD: QT154C2408**  
**LED: 一串三并**  
**IF=3\*15MA**  
**VF=3.0-3.3V**



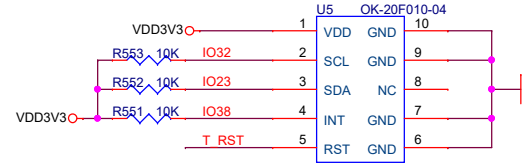
**LCD\_1.54-TOUCH**



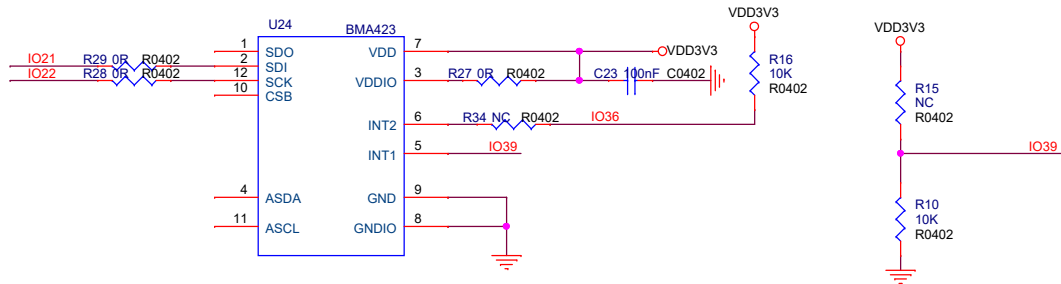
**LCD Connector**



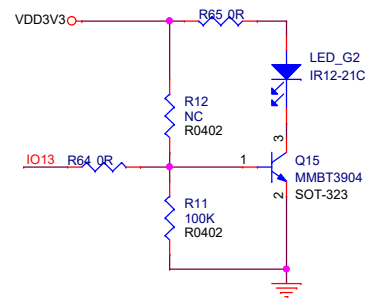
**TOUCH Connector**



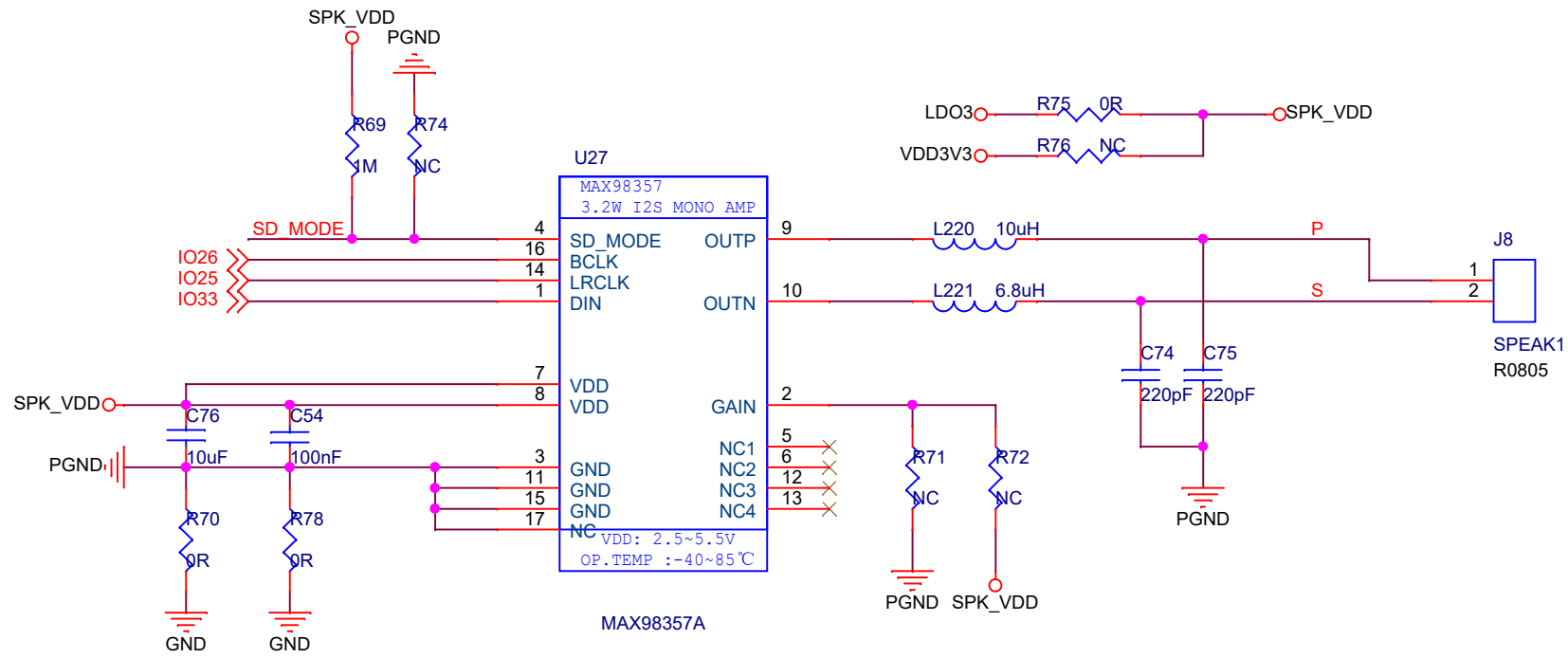
**SENSOR**



**IR**



Title		
T_WATCH-2021改PSRAM		
Size	Document Number	Rev
B	LCD	V1.4
Date:	Wednesday, July 01, 2020	Sheet 5 of 6



Title		
T_WATCH-2021改PSRAM		
Size	Document Number	Rev
A	AUDIO	V1.4
Date:	Wednesday, July 01, 2020	Sheet 6 of 6